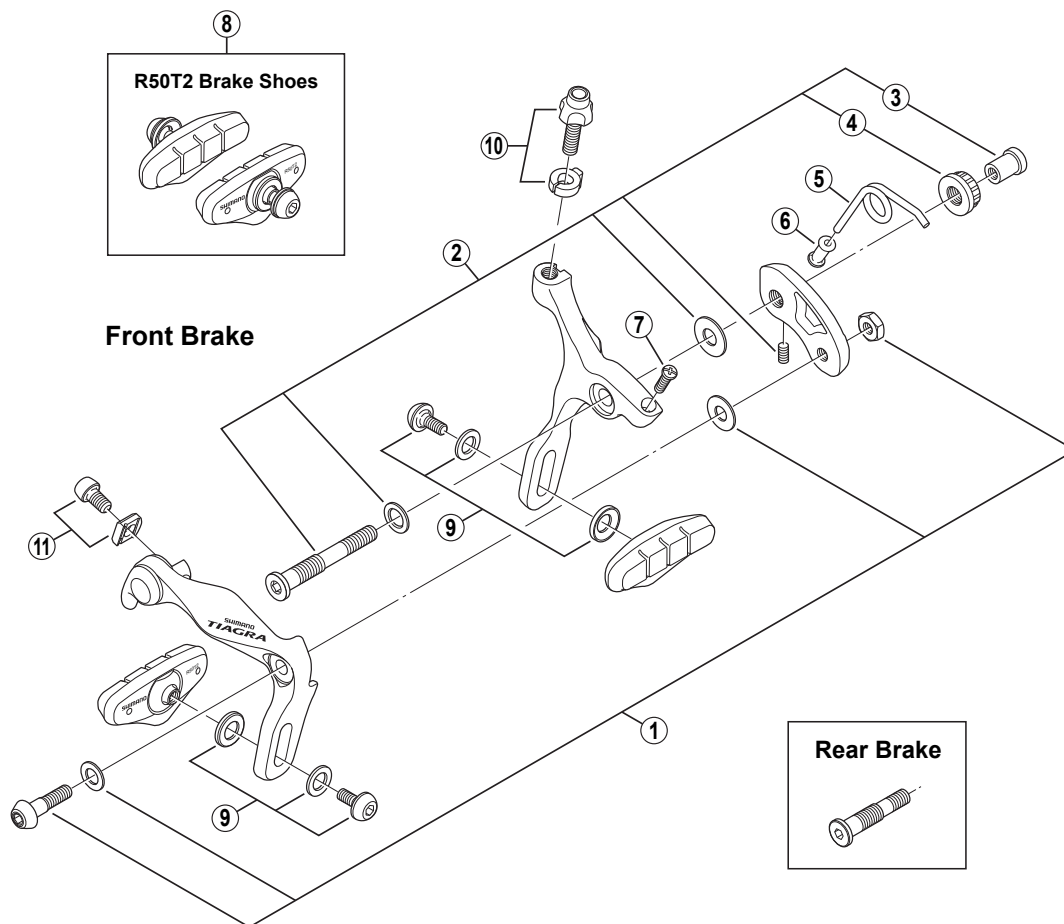


TIAGRA Caliper Brake BR-4500



BR-R560
BR-5600
BR-6600

ITEM NO.	SHIMANO CODE NO.	DESCRIPTION	INTERCHANGEABILITY
1	Y-8BY98030	Arm Bolt Unit (M6 x 21.5)	AB
2	Y-8BZ98010	Front Pivot Bolt Assembly {Pivot Bolt: 48.9 mm (1-15/16") / Pivot Nut: 10.5 mm}	
	Y-8BZ98020	Front Pivot Bolt Assembly {Pivot Bolt: 48.9 mm (1-15/16") / Pivot Nut: 12.5 mm}	
	Y-8BZ98030	Front Pivot Bolt Assembly {Pivot Bolt: 48.9 mm (1-15/16") / Pivot Nut: 18.0 mm}	
	Y-8E6 98020	Front Pivot Bolt Assembly {Pivot Bolt: 48.9 mm (1-15/16") / Pivot Nut: 27.0 mm}	
	Y-8BZ98050	Rear Pivot Bolt Assembly {Pivot Bolt: 34.2 mm (1-11/32") / Pivot Nut: 10.5 mm}	
3	Y-855 75110	Pivot Nut (10.5 mm) for Front/Rear	AAA
	Y-855 75020	Pivot Nut (12.5 mm) for Front	AAA
	Y-855 74010	Pivot Nut (18.0 mm) for Front	AAA
	Y-8A0 23000	Pivot Nut (27.0 mm) for Front	AAA
4	Y-8BC06000	Lock Nut	ABB
5	Y-8BY06000	Arm Spring	A
6	Y-8BY08000	Spring Guide	ABB
7	Y-81U 10200	EC-Screw (M4 x 11.7)	ABB
8	Y-8E6 98010	R50T2 Brake Shoe Set (5 pairs)	BBB
9	Y-8E6 98030	Shoe Fixing Bolt Unit (M5 x 11.2)	ABB
10	Y-8BY98040	Cable Adjusting Bolt (M6 x 19.3) & Clip	A
11	Y-8BT98010	Cable Fixing Bolt (M6 x 9) & Plate	ABB

A: Same parts.

B: Parts are usable, but differ in materials, appearance, finish, size, etc.
Absence of mark indicates non-interchangeability.

0612-2589A

Specifications are subject to change without notice.

SHIMANO